

FEDERAL SUPPLY CLASS  
5306

RATIONALE

REVISE LEAD END CHAMFER REQUIREMENTS TO CONFORM TO AS1132, ADD NEW NOTE FOR DISPOSITION OF EXISTING INVENTORY, EDITORIAL REVISIONS PER ANSI Y14.5M-1982, GENERAL EDITORIAL UPDATES.

REV.  
B

AS3234™

SAE Technical Standards Board Rules provide that: "This report is published by SAE to advance the state of technical and engineering sciences. The use of this report is entirely voluntary, and its applicability and suitability for any particular use, including any patent infringement arising therefrom, is the sole responsibility of the user." SAE invites your written comments and suggestions. SAE reviews each technical report at least every five years at which time it may be revised, reaffirmed, stabilized, or cancelled.

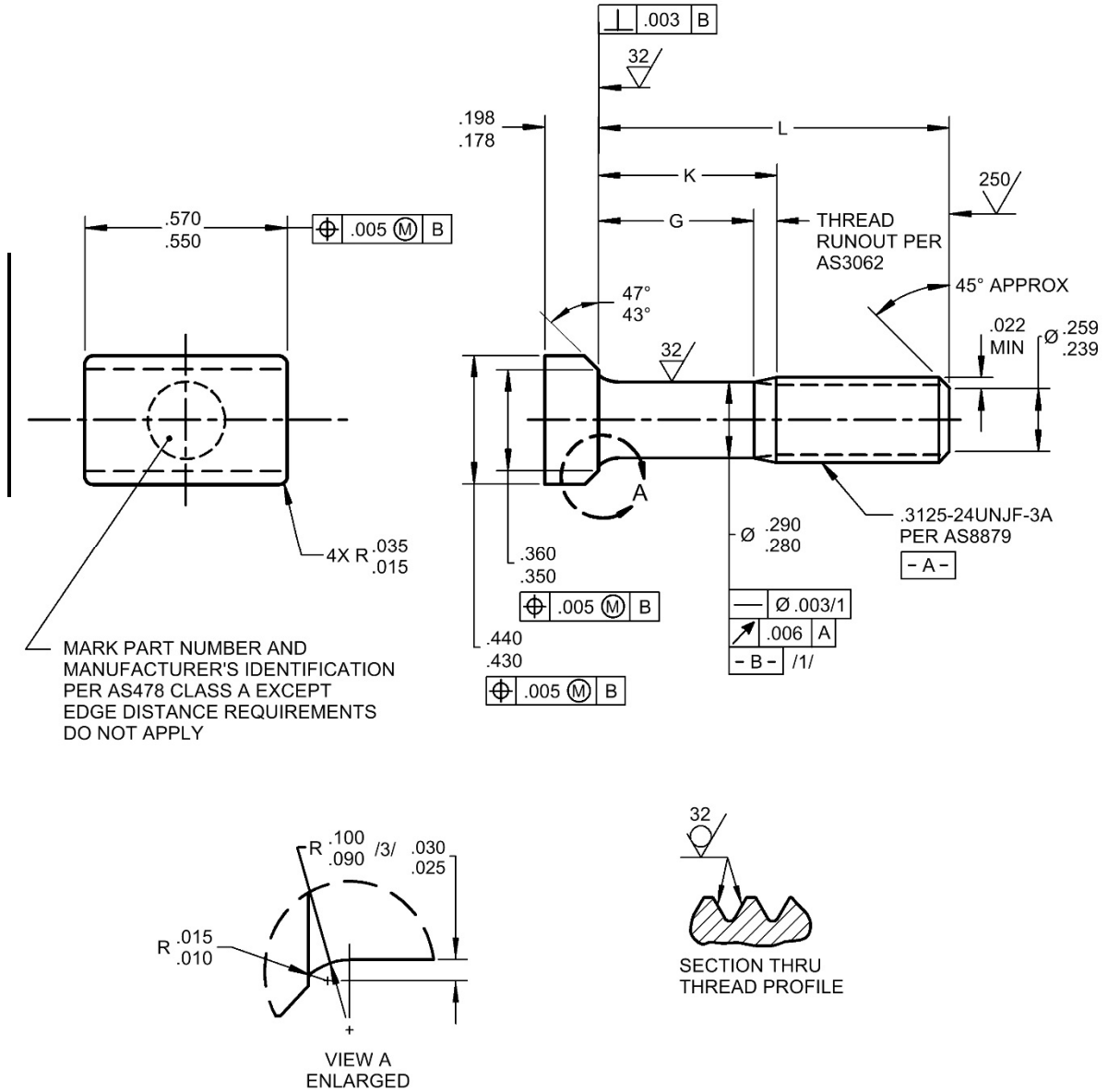
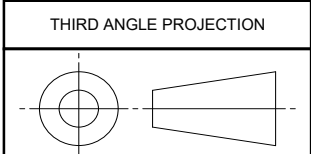


FIGURE 1 - BOLT

SAE values your input. To provide feedback on this Technical Report, please visit <http://standards.sae.org/AS3234B>



CUSTODIAN: E-25

PROCUREMENT SPECIFICATION: AS7471 /3/



**AEROSPACE STANDARD**

BOLT, TEE HEAD - CHAMFERED, PD SHANK  
NICKEL ALLOY (UNS N07001), 165 KSI MIN UTS  
.3125-24 UNJF-3A

AS3234™  
SHEET 1 OF 3

REV.  
B